



Properties

- Ø12 mm housing
- 4 mm, flush and 8 mm, non-flush mountable versions
- AC/DC, 2-wire switching output
- Cable and connector versions

Technical Data

For detailed data and product description refer to the data sheets at www.pepperl-fuchs.com

General Data

Switching element function	AC/DC	NO
Type of voltage	AC/DC	
Operating voltage	20 ... 250 V AC/20 ... 300 V DC	
Reverse polarity protection	tolerant	
Switching frequency	30 Hz	
Operating current	8 ... 200 mA AC/DC	
Short-circuit protection	✓	
Operating voltage display	LED, green	
Indication of the switching state	LED, yellow	
Ambient temperature	-25 ... 70 °C (-13 ... 158 °F)	
Housing material	brass, nickel-plated	
Protection degree	IP67	

Model Number

		NBB4-12GM75-US	NBN8-12GM75-US	NBB4-12GM65-US-V12	NBN8-12GM65-US-V12
Rated operating distance	4 mm	●	●	●	●
	8 mm	●	●	●	●
Installation	flush	●	●	●	●
	non-flush	●	●	●	●
Connection type	Device connector 1/2"-20 UN , 3-pin	●	●	●	●
	cable PUR , 2 m	●	●	●	●

Approvals and Certificates

UL approval	cULus Listed, General Purpose	●	●	●	●
CSA approval	cCSAus Listed, General Purpose	●	●	●	●
CCC approval	Certified by China Compulsory Certification (CCC)	●	●	●	●

Dimensions

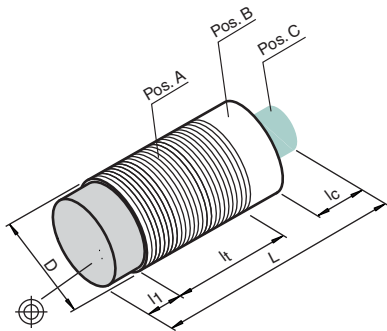
Length L [mm]	75		82	
Diameter D [mm]	12			
Thread length l _t [mm]	72	64	65	64
Cap length l ₁ [mm]	0	8	0	8
Connector area l _c [mm]	0		8	
LED position	Pos. B			

Accessories

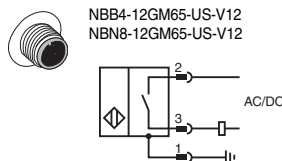
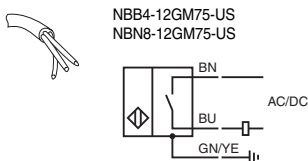
This and more accessories can be found in chapter 10
 See pages from 972 ... for cordsets See pages 1068 ... for mounting aids

EXG-12

Quick mounting bracket with dead stop



Electrical Connection



Wire colors

- 1 | GN (green)
- 2 | RD/BK (red/black)
- 3 | RD/WH (red/white)